

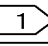

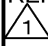
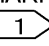

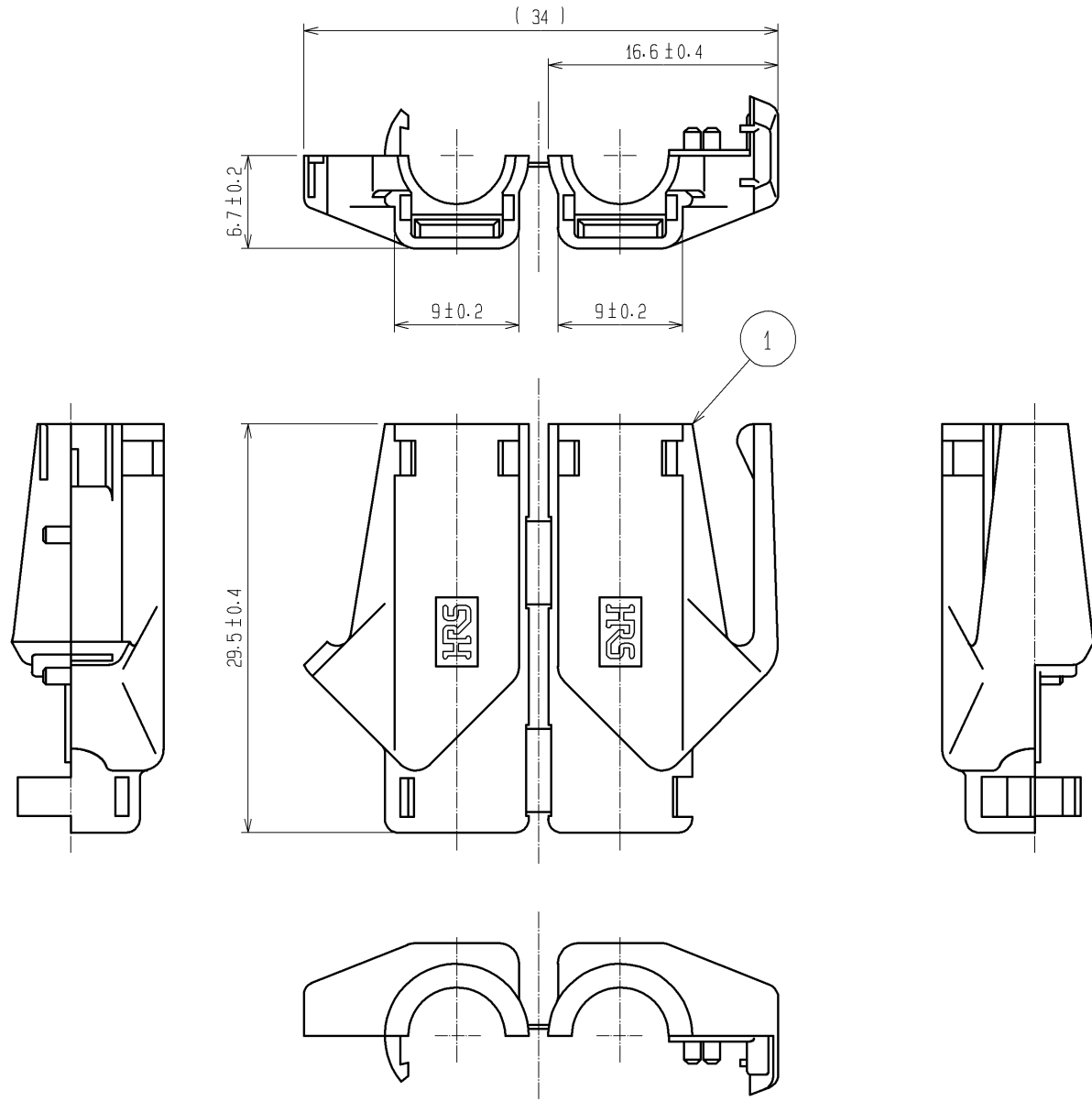


参考図：ご確認用。正式には別途納入仕様書をご請求願います。

APPLICABLE STANDARD			
RATING	OPERATING TEMPERATURE RANGE	 -55 °C TO +85 °C	STORAGE TEMPERATURE RANGE   -55 °C TO +85 °C
	VOLTAGE		CURRENT
<b>SPECIFICATIONS</b>			
ITEM	TEST METHOD	REQUIREMENTS	QT AT
<b>CONSTRUCTION</b>			
GENERAL EXAMINATION	VISUALLY AND BY MEASURING INSTRUMENT.	ACCORDING TO DRAWING.	X X
MARKING	CONFIRMED VISUALLY.		X X
COUNT	DESCRIPTION OF REVISIONS	DESIGNED	CHECKED
 3	DIS-E-002197	MT. ITANO	HK. TANAKA
REMARK	PACKING MATERIAL IS NOT INCLUDED.	APPROVED	HO. MIWA
 		CHECKED	TH. KAMEYA
		DESIGNED	SS. SATOH
		DRAWN	SS. SATOH
Unless otherwise specified, refer to JIS C 5402.			
Note QT:Qualification Test AT:Assurance Test X:Applicable Test		DRAWING NO.	ELC4-121484-01
<b>HRS</b>	SPECIFICATION SHEET	PART NO.	TM21P-88P (**)
	HIROSE ELECTRIC CO., LTD.	CODE NO.	 1/1

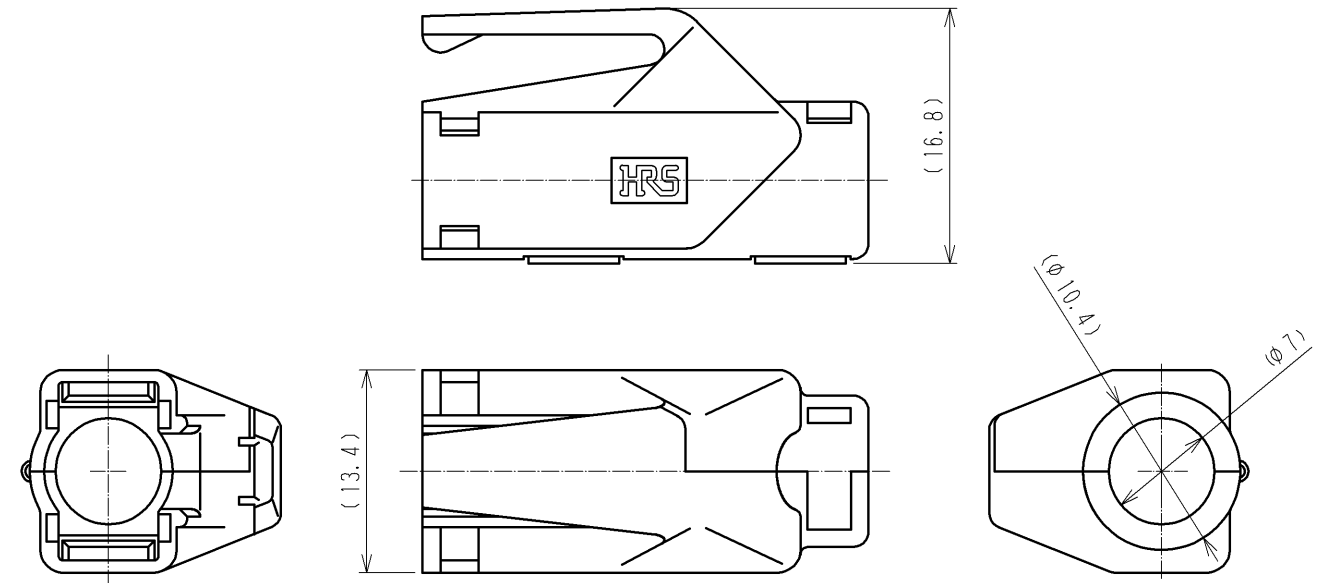


NOTE 1. ( ) INDICATES THE REFERENCE DIMENSIONS.  
 2. COLORS ARE SHOWN IN TABLE-1.  
 3. PER PACK: 50 PIECES.

2. TABLE-1

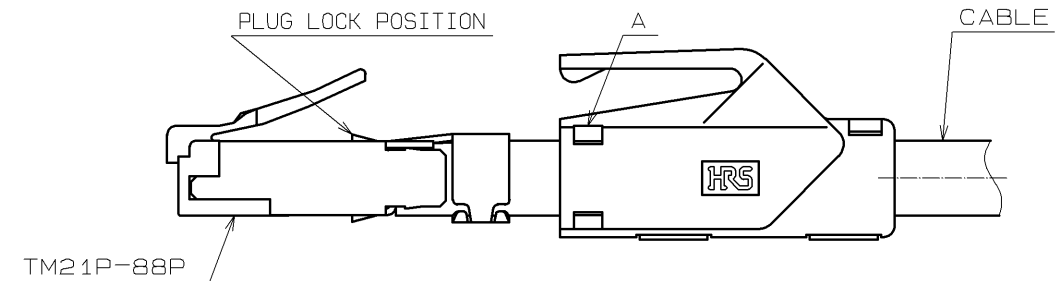
PART No.	HRS No.	COLOR
TM21P-88P(11)	CL222-2862-9-11	LIGHT BEIGE
TM21P-88P(12)	CL222-2862-9-12	MEDIUM GRAY
TM21P-88P(13)	CL222-2862-9-13	BLACK
TM21P-88P(14)	CL222-2862-9-14	NATURAL LIGHT GRAY
TM21P-88P(15)	CL222-2862-9-15	RED
TM21P-88P(16)	CL222-2862-9-16	GREEN
TM21P-88P(17)	CL222-2862-9-17	BLUE
TM21P-88P(18)	CL222-2862-9-18	YELLOW
TM21P-88P(19)	CL222-2862-9-19	ORANGE
△ TM21P-88P(32)	CL222-2862-9-32	WHITE
△ TM21P-88P(33)	CL222-2862-9-33	VIOLET
△ TM21P-88P(34)	CL222-2862-9-34	PINK

ATTACHED HOOD CLOSED

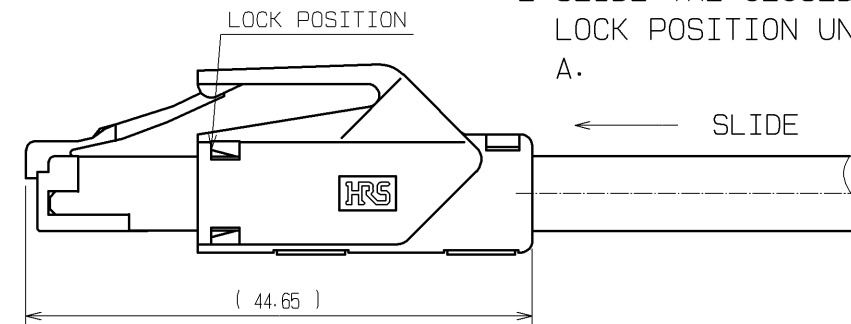


HOOD ATTACHMENT PROCEDURE (FREE)

1. FIT THE OPENED HOOD ON THE CABLE AND CLOSE. HOOD DIRECTION IS SHOWN AS AN EXAMPLE.



2. SLIDE THE CLOSED HOOD TO THE PLUG LOCK POSITION UNTIL BEING LOCKED AT A.



NO.	MATERIAL	FINISH . REMARKS	NO.	MATERIAL	FINISH . REMARKS		
			1	POLYAMIDE	( 2 ) UL94V-2 ▲		
UNITS mm	⊙	SCALE 2 : 1	COUNT 3	DESCRIPTION OF REVISIONS DIS-E-001276	DESIGNED TS. ITO	CHECKED HO. MIWA	DATE 07. 02. 14
APPROVED : HO. MIWA 05. 01. 05			DRAWING NO. EDC3-121484-01				
CHECED : TH. KAMEYA 05. 01. 05			PART NO. TM21P-88P (**)				
DESIGNED : SS. SATOH 05. 01. 05			CODE NO.				
DRAWN : SS. SATOH 05. 01. 05							