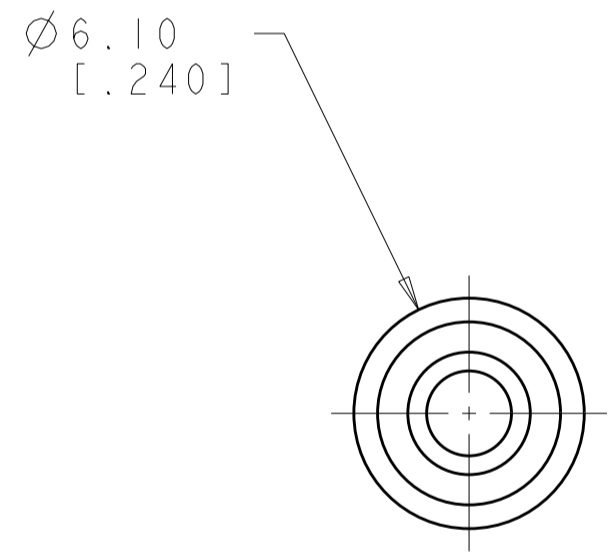
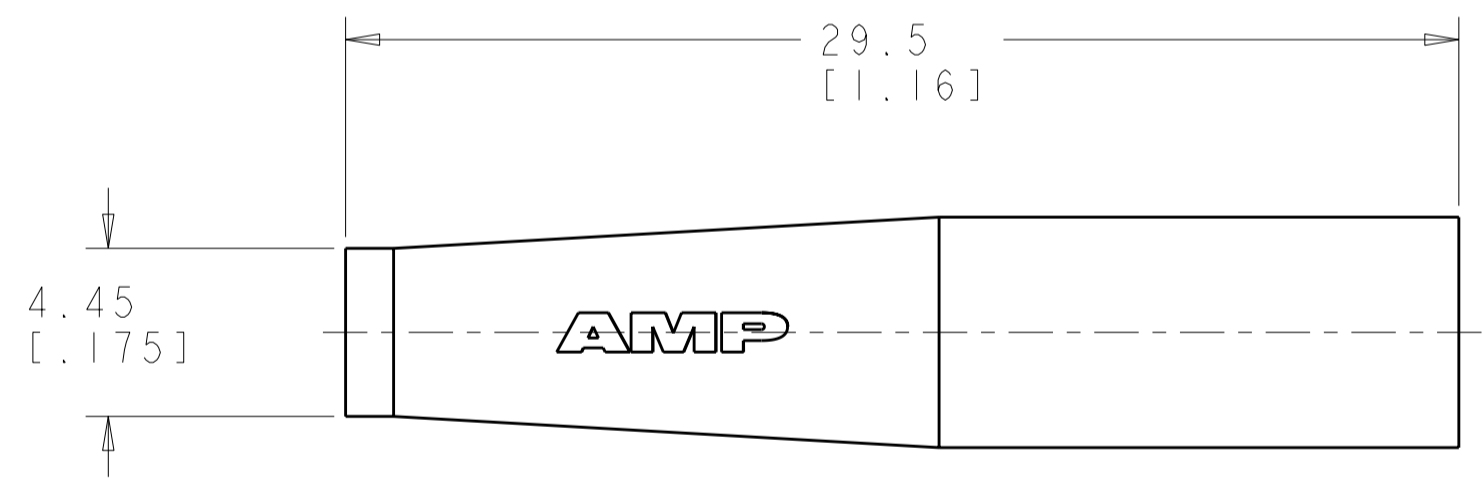
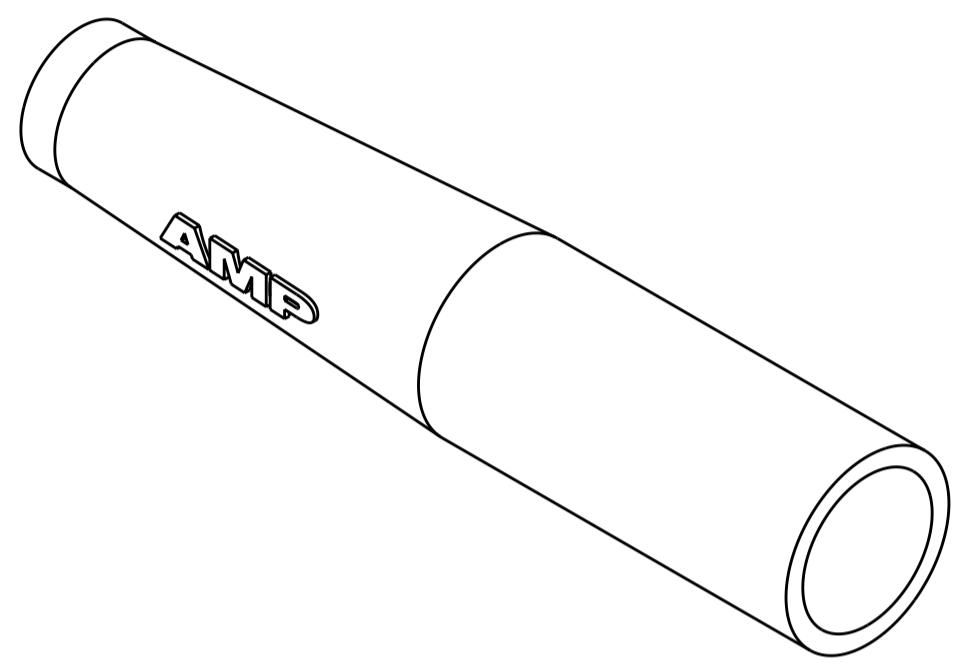


THIS DRAWING IS UNPUBLISHED. RELEASED FOR PUBLICATION 20
 © COPYRIGHT 19 ALL RIGHTS RESERVED.

LOC	DIST	REVISIONS					
CE	00	P	LTR	DESCRIPTION	DATE	DWN	APVD
			DI	REVISED PER ECO-11-005027	16MAY2011	RK	HMR

⚠ MATERIAL: TPE, SEE TABLE FOR COLOR, UL 94 V-0 RATED AT QUALIFYING THICKNESS.
 ⚠ NO AMP LOGO



	2.4/2.5	GREEN	3-5503971-7
	2.4/2.5	GREEN	3-5503971-6
⚠	3.0	AQUA	3-5503971-5
	3.0	AQUA	3-5503971-4
⚠	2.4/2.5	AQUA	3-5503971-3
	2.4/2.5	AQUA	3-5503971-2
⚠	2.0	AQUA	3-5503971-1
	2.0	AQUA	3-5503971-0
⚠	2.0	BEIGE	2-5503971-9
	2.0	GREEN	2-5503971-8
	2.0	RED	2-5503971-7
⚠	2.0	BLACK	2-5503971-5
	2.0	BLACK	2-5503971-3
⚠	3.0	YELLOW	2-5503971-2
⚠	3.0	WHITE	1-5503971-9
⚠	3.0	GREEN	1-5503971-8
⚠	3.0	RED	1-5503971-7
⚠	3.0	BLACK	1-5503971-6
⚠	3.0	BLUE	1-5503971-5
⚠	3.0	BEIGE	1-5503971-4
	2.4/2.5	RED	1-5503971-3
	2.4/2.5	BLACK	1-5503971-2
	3.0	RED	1-5503971-1
	3.0	BLACK	1-5503971-0
	2.0	YELLOW	5503971-9
	2.4/2.5	YELLOW	5503971-8
	3.0	YELLOW	5503971-7
	2.0	BLUE	5503971-6
	2.0	BEIGE	5503971-5
	2.4/2.5	BLUE	5503971-4
	2.4/2.5	BEIGE	5503971-3
	3.0	BLUE	5503971-2
	3.0	BEIGE	5503971-1
	CABLE DIA	COLOR	PART NUMBER

THIS DRAWING IS A CONTROLLED DOCUMENT.

DWN: E. HOPKINS 28 JAN 2005
 CHK: D. ERDMAN 28 JAN 2005
 APVD: S. BUCHTER 28 JAN 2005

STE TE Connectivity

NAME: BOOT, SHORT, AMP SC/FC TYPE

PRODUCT SPEC: -
 APPLICATION SPEC: -
 WEIGHT: -

SIZE: A2 CAGE CODE: 00779 DRAWING NO: 5503971 RESTRICTED TO: -

CUSTOMER DRAWING SCALE: 5:1 SHEET 1 OF 1 REV: DI